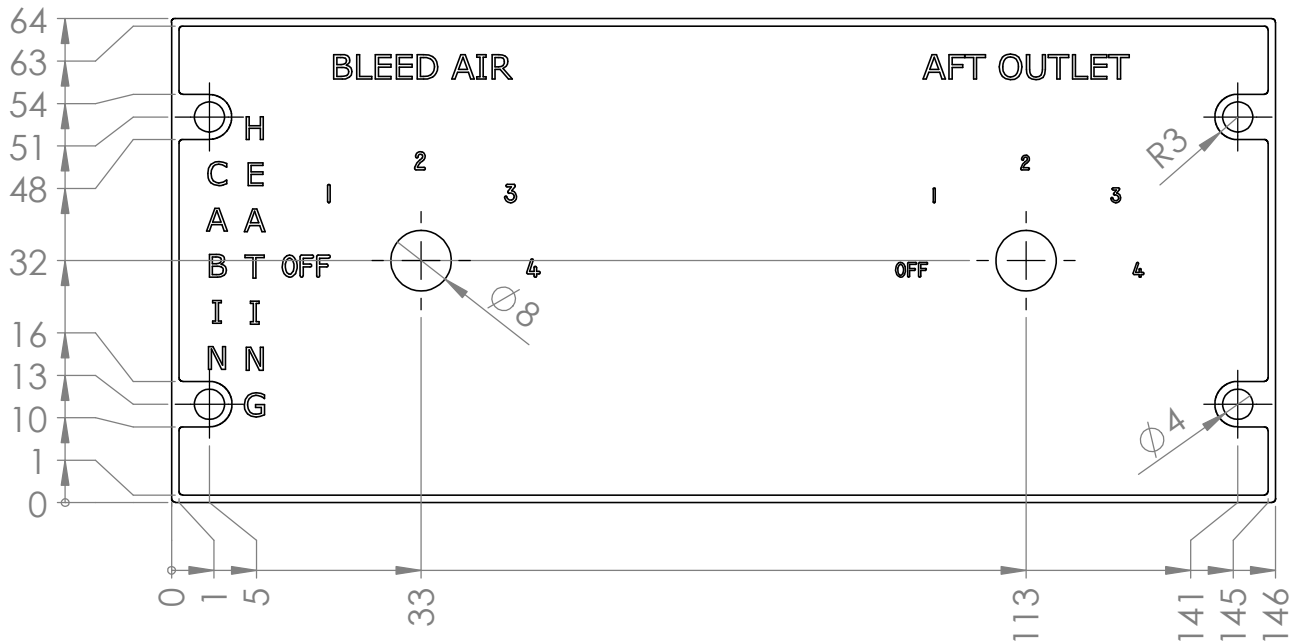
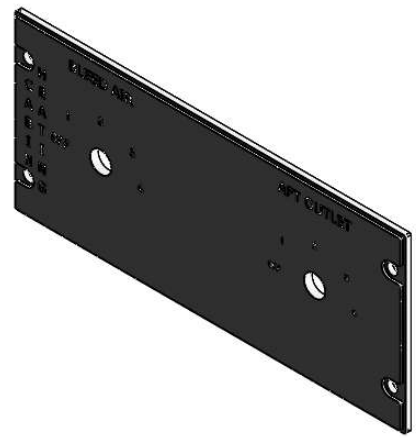


6 5 4 3 2 1

D

D



C

C

B

B



A

A

UNLESS OTHERWISE SPECIFIED: DIMENSIONS ARE IN MILLIMETERS SURFACE FINISH: TOLERANCES: LINEAR: ANGULAR:				FINISH:		DEBURR AND BREAK SHARP EDGES		DO NOT SCALE DRAWING		REVISION	
DRAWN				SIGNATURE		DATE		TITLE:			
CHK'D											
APPVD											
MFG											
Q.A						MATERIAL:		DWG NO.		A4	
								dwg_Huey_panel_cabin_heat			
						WEIGHT:		SCALE:1:1		SHEET 1 OF 1	

6 5 4 3 2 1

6

5

4

3

2

1

D

D

C

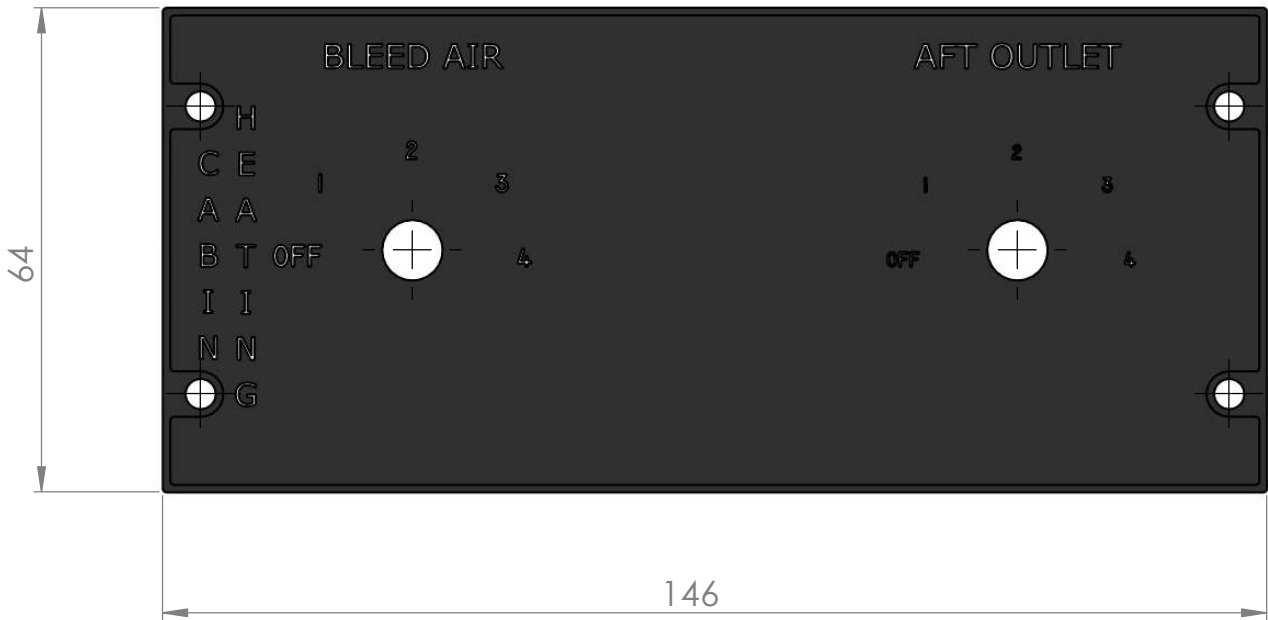
C

B

B

A

A



UNLESS OTHERWISE SPECIFIED: DIMENSIONS ARE IN MILLIMETERS SURFACE FINISH: TOLERANCES: LINEAR: ANGULAR:				FINISH:		DEBURR AND BREAK SHARP EDGES		DO NOT SCALE DRAWING		REVISION	
								TITLE:			
DRAWN		NAME		SIGNATURE		DATE					
CHK'D											
APPV'D											
MFG											
Q.A						MATERIAL:		DWG NO. dwg_Huey_panel_cabin_heat			A4
						WEIGHT:		SCALE: 1:2			SHEET 2 OF 2

6

5

4

3

2

1